

40W LED Drivers

multicomp PRO

**RoHS
Compliant**



Features

- Output constant voltage
- High efficiency up to 83%
- Power Factor Correction >0.9
- Protections: Short circuit/ over loading/ over temperature/ over Voltage
- Cooling by free air convection
- IP67 design for outdoor installation
- 3 years warranty



Models	MP007756	MP007757
Output Specifications		
Output Voltage	12V	24V
Voltage Tolerance	±5%	
Output Current	3.33A	1.66A
Rated Power	40W	
Input Specifications		
Input Voltage	200V AC to 240V AC	
Frequency Range	50Hz	
Full Load Efficiency (Typ.)	83%	
Power Factor Correction	>0.9, Full Load 240V	
Input Current	0.3A Max	
Inrush Current	40A @Full Load, 240V AC	
Inrush Current (T50% value)	3.76A, Inrush current width 530µs	
No Load Power Consumption	≤0.5W	
Protection		
Over Load	Protection type: Auto Restore	
Short Circuit	Protection type: Auto Restore	
Over Temperature	Protection type: Auto Restore	
Environment		
Working Temperature	-10 to +40°C	
Working Humidity	20% to 90% RH, non-condensing	
Life Time	>30,000h @40°C	
Storage Temperature	-20°C to +60°C	
Safety & EMC		
Safety Standards	EN61347-1, EN61347-2-13, EN60598-1, EN60598-2-6	
EMI	EN55015, EN61000-3-2, Class C EN61000-3-3	
EMS	EN61547, EN61000-4-2, EN61000-4-5	

Newark.com/multicomp-pro
Farnell.com/multicomp-pro
Element14.com/multicomp-pro

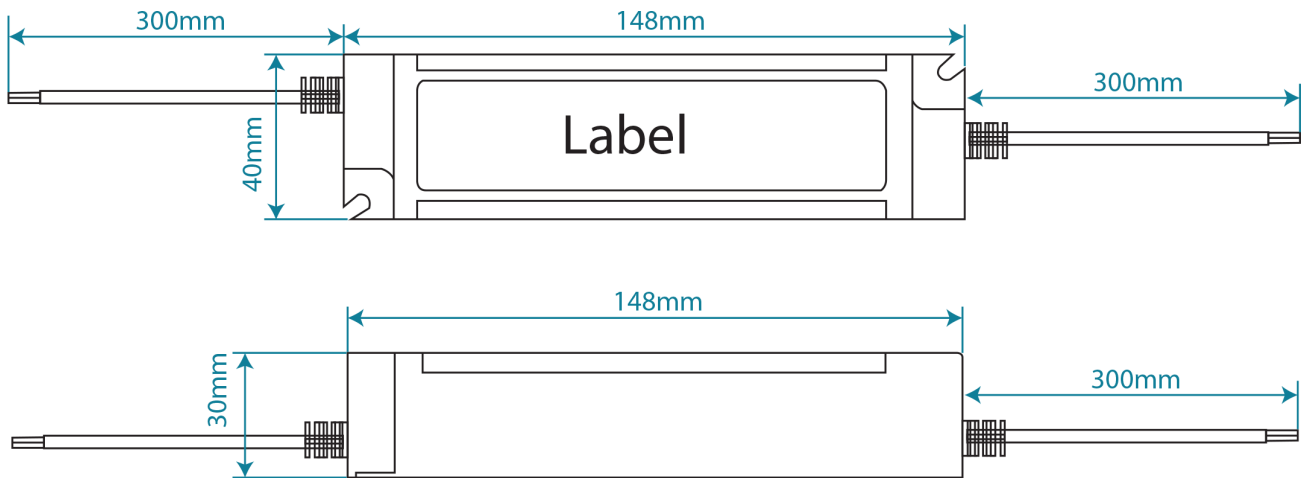
multicomp PRO

40W LED Drivers



Models	MP007756	MP007757
Other Specifications		
Weight	0.306Kg	
Size	148mm × 40mm × 30mm	
Packing	420mm × 270mm × 270mm (50PCS)	

Mechanical Specification



Dimensions : Millimetres

Part Number Table

Description	Part Number
LED Driver, 40W, 12V, 3.33A, IP67	MP007756
LED Driver, 40W, 24V, 1.66A, IP67	MP007757

Important Notice : This data sheet and its contents (the "Information") belong to the members of the AVNET group of companies (the "Group") or are licensed to it. No licence is granted for the use of it other than for information purposes in connection with the products to which it relates. No licence of any intellectual property rights is granted. The Information is subject to change without notice and replaces all data sheets previously supplied. The Information supplied is believed to be accurate but the Group assumes no responsibility for its accuracy or completeness, any error in or omission from it or for any use made of it. Users of this data sheet should check for themselves the Information and the suitability of the products for their purpose and not make any assumptions based on information included or omitted. Liability for loss or damage resulting from any reliance on the Information or use of it (including liability resulting from negligence or where the Group was aware of the possibility of such loss or damage arising) is excluded. This will not operate to limit or restrict the Group's liability for death or personal injury resulting from its negligence. DURATOOL is the registered trademark of Premier Farnell Limited 2019.

Newark.com/multicomp-pro
 Farnell.com/multicomp-pro
 Element14.com/multicomp-pro

