

Round LED

Orange, 3mm

multicomp **PRO**

RoHS
Compliant



Specifications:

Dice Material	: GaAsP on GaP
Emitted Colour	: Orange Red
Lens Colour	: Orange Diffused
Peak Wavelength	: 635nm
Viewing Angle	: 76°
Luminous Intensity (IV)	: 8.5mcd

Absolute Maximum Ratings ($T_a = 25^\circ\text{C}$)

Reverse Voltage	5V
Reverse Current	10 μ A ($V_R = 5V$)
Operating Temperature Range	-40°C to +85°C
Storage Temperature Range	-40°C to +100°C
Lead Soldering Temperature Range 1.6mm (1/16 inch) from body	260°C for 5 Seconds

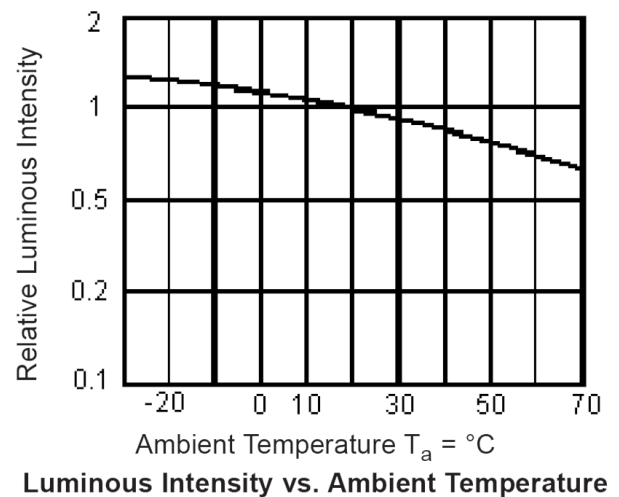
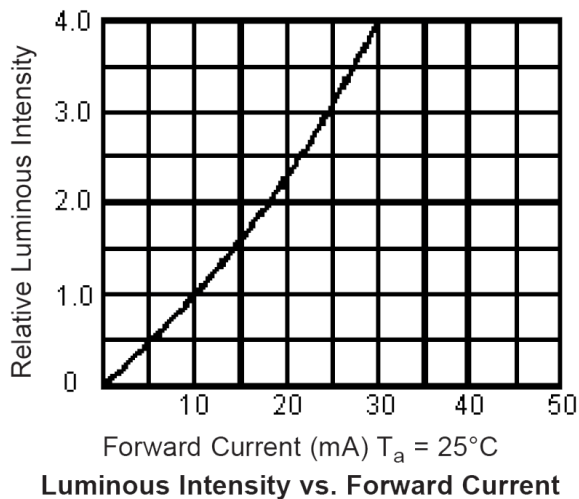
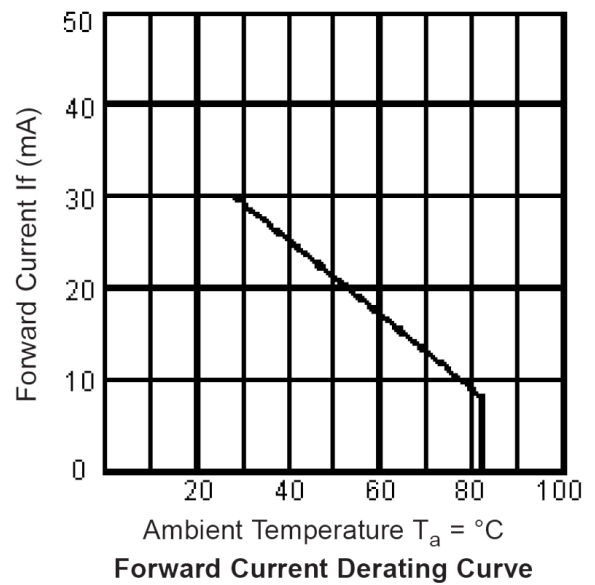
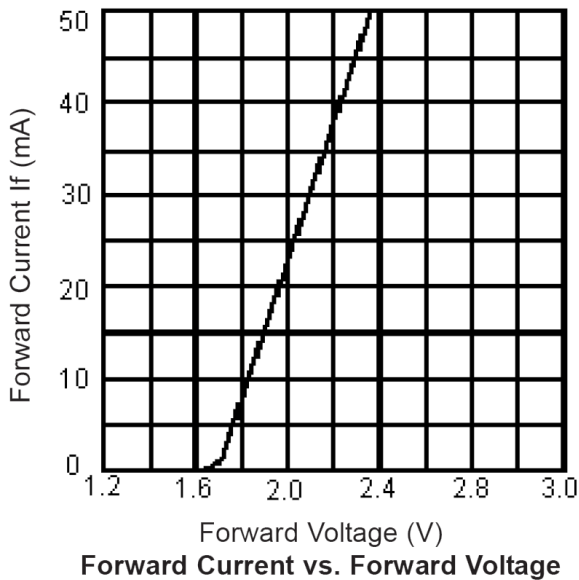
Electrical/Optical Characteristics at $T_a = 25^\circ\text{C}$

Parameter	Symbol	Minimum	Typical	Maximum	Unit	Test
Luminous Intensity	IV	4	8.5	13	mcd	IF = 20mA
Viewing Angle	2 θ 1/2	-	76	-	degrees	
Peak Emission Wavelength	λ_P	-	635	-	nm	-
Dominant Wavelength	λ_D	-	625	-		-
Spectral Line Half-Width	$\Delta\lambda$	-	45	-		-
Forward Voltage	V _F	1.6	2	2.6	V	IF = 20mA
Power Dissipation	P _d	-	-	85	-	-
Peak Forward Current (Duty 1/10 at 1kHz)	IF (Peak)	-	-	100	-	-
Recommended Operating Current	IF (Rec)	-	20	-	mA	-

Round LED

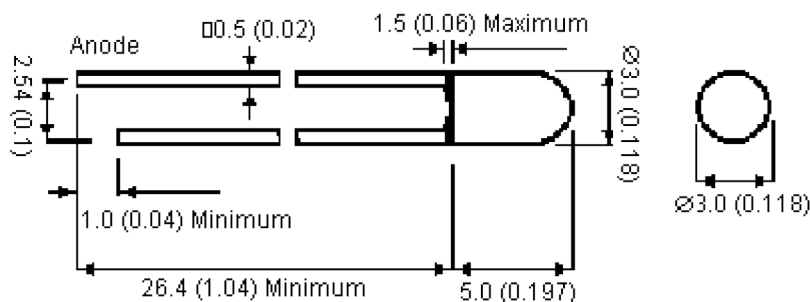
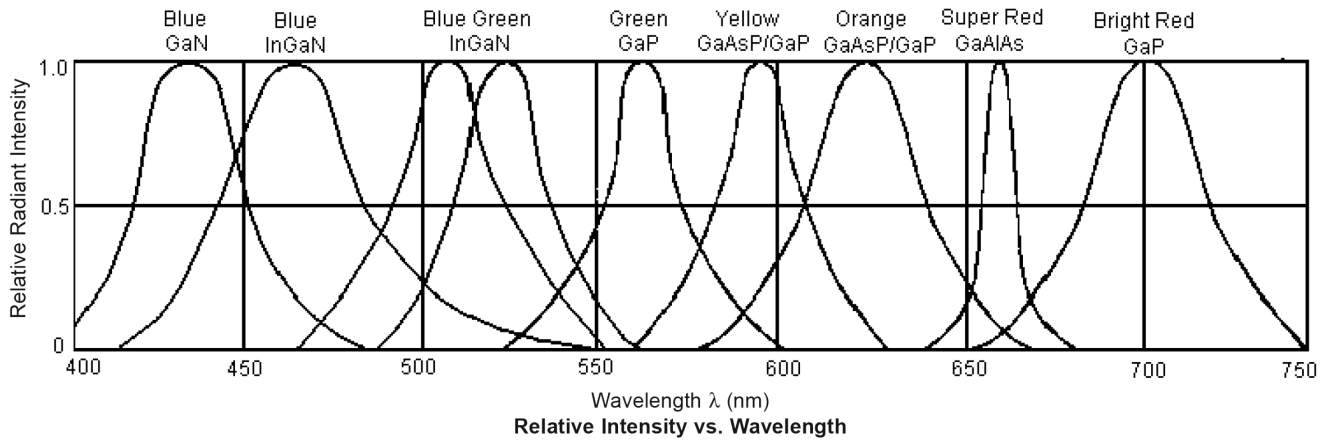
Orange, 3mm

Orange (GaAsP/CaP $\lambda_P = 635\text{nm}$)



Round LED

Orange, 3mm



Dimensions : Millimetres (Inches)

Part Number Table

Description	Part Number
LED, 3mm, 70°, Orange	MCL514AD

Important Notice : This data sheet and its contents (the "Information") belong to the members of the AVNET group of companies (the "Group") or are licensed to it. No licence is granted for the use of it other than for information purposes in connection with the products to which it relates. No licence of any intellectual property rights is granted. The Information is subject to change without notice and replaces all data sheets previously supplied. The Information supplied is believed to be accurate but the Group assumes no responsibility for its accuracy or completeness, any error in or omission from it or for any use made of it. Users of this data sheet should check for themselves the Information and the suitability of the products for their purpose and not make any assumptions based on information included or omitted. Liability for loss or damage resulting from any reliance on the Information or use of it (including liability resulting from negligence or where the Group was aware of the possibility of such loss or damage arising) is excluded. This will not operate to limit or restrict the Group's liability for death or personal injury resulting from its negligence. Multicomp Pro is the registered trademark of Premier Farnell Limited 2019.